

QUICK SHIP PROGRAM - MCM AND MCE SERIES MONOCARRIERS

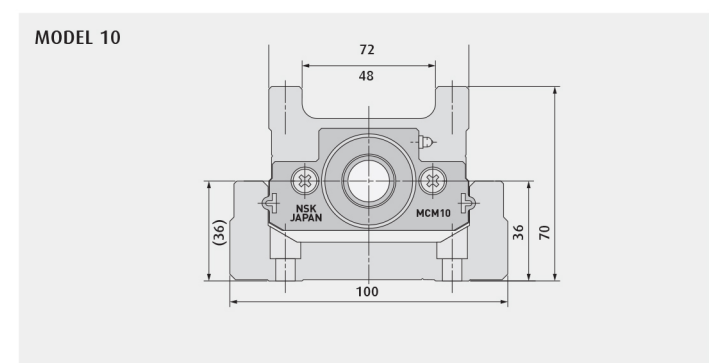
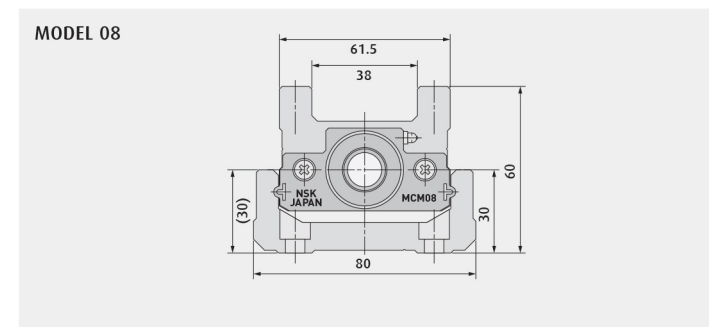
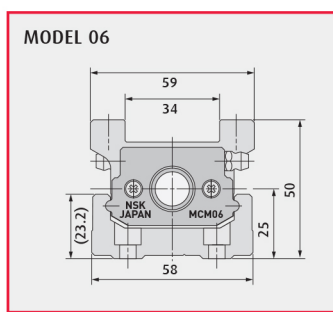
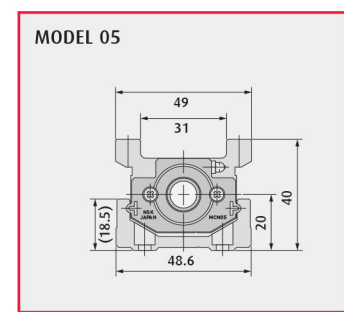
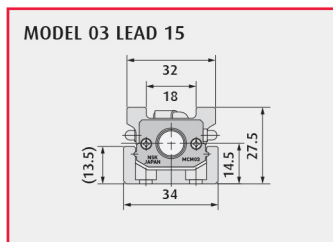
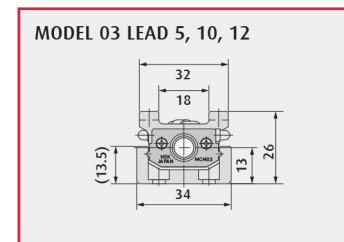
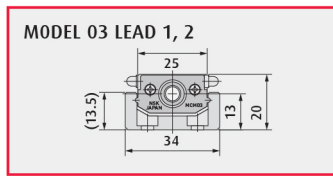
A BROAD PORTFOLIO OF BALL SCREW LEAD / STROKE COMBINATIONS



STANDARD COMBINATIONS - SINGLE SLIDER																								
MODEL		02		03					05				06			08				10				
LEAD		1	2	1	2	5	10	12	15	5	10	20	30	5	10	20	5	10	20	30	10	20	30	
STROKE	50																							
	100																							
	150																							
	200																							
	250																							
	300																							
	400																							
	500																							
	600																							
	700																							
800																								
900																								
1000																								

model / lead / stroke combination available
 model / lead / stroke combination available from Quick Ship

STANDARD COMBINATIONS - DOUBLE SLIDER												
MODEL		05		06			08			10		
LEAD		10	20	5	10	20	10	20	10	20	10	20
STROKE	60											
	70											
	80											
	110											
	160											
	170											
	180											
	210											
	270											
	280											
	310											
	370											
	380											
	410											
	470											
	480											
	510											
	570											
	580											
	610											
670												
680												
710												
870												



QUICK SHIP PROGRAM

- › For customers purchasing quantities up to 15 units with quick turnaround requirements
- › Ideal solution for customers in product development / prototype phase
- › Monocarriers and accompanying standard accessories indicated are available within a 4-6 week delivery time
- › model sizes 03, 05 and 06, with optimized combinations of lead and stroke
- › Single and double slider options
- › Ball screw shaft diameters ranging from 8 to 15 mm
- › Stroke length as short as 50 mm, as long as 800 mm